



eLumen™

XPower LED Globe Bulbs



**80-100W INCANDESCENT
EQUIVALENT**



Lumenport Electronics® eLumen™ L70X XPower LED Globe Bulb, with E27 edison base, is fully-qualified retrofit solution to replace incandescent lamps and CFL lamps. It is well-suited for use in your home, commercial, retail or hospitality areas.

eLumen™ L70X adopts high-efficacy LEDs, emits equivalent lumen output to 80-100 watt incandescent lamps while only using 10 watt. Specially designed aluminum housing provides excellent heat dissipation and ensures it to service for 50,000 hours.

eLumen™ L70X contains no lead, no mercury, totally pollution and poisoning free.



Lead Ordinary to Fascinating!

LUMENPORT Electronics® eLumen™ L70X XPower LED Globe Bulbs---10W LED to replace 80-100W





Why eLumen™ L70X?

	eLumen™ L70X	Conventional incandescent lamps
Power Consumption	10W	90W
Life Span	50,000 hours	1,000 hours
CO ₂ emission	Low	High
Heat Damage	No	High
Radiation	No	UV, FR
Resistant to shock and vibration	Durable, Aluminum Housing and PC Cover	Low, Fragile Glass
Maintenance Fees	No	High
Energy cost for 50,000 hours (US\$0.25/kWh)	US\$125/pcs	US\$1125/pcs
Energy saving for 50,000 hours	US\$1000/pcs	
Up to 90% energy saving!		

Features & Benefits:

Ultra energy efficient, replacing up to 80-100W incandescent lamps;
 Good heat dissipation with professional designed aluminum alloy housing;
 Anti-glare, giving visual comfort with unique integrated PC cover;
 Isolating circuit design, safety and reliability;
 No mercury, lead, less CO₂ emission, eco-friendly to the environment;

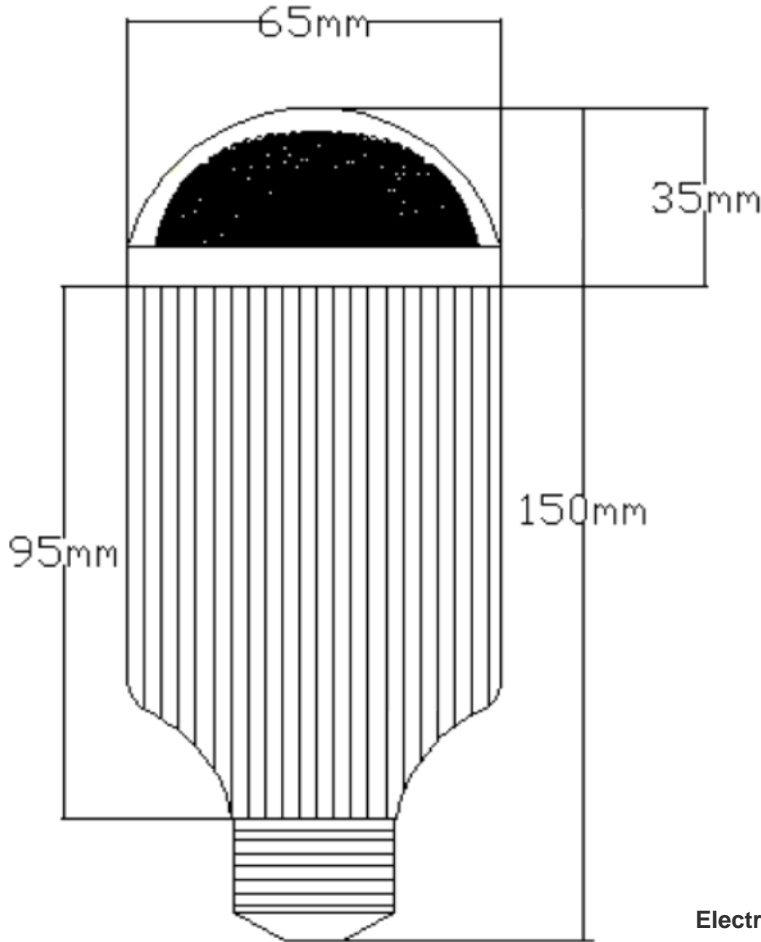
No UV, infrared output, no harmful to human body;
 High shock and vibration resistant with PC cover and durable aluminum housing;
 Solid-state, fast turn on;
 Less heat output, no heat damage;
 Easily installed into standard fitting;
 Longevity of service and minimal maintenance

Recommended Applications:

General and down lighting for homes, restaurants, hotels, malls etc.

Part Numbers

Part Number	Description	Unit
LBX-2101W-070000-H0	eLumen L70X, 10LEDs*1W, Warm White , E27,120VAC/240VAC	PCs
LBX-2101N-070000-H0	eLumen L70X, 10LEDs*1W, Natural White, E27,120VAC/240VAC	PCs



Electrical Specifications

Base	E27
Dimension	D65*H165 mm
Housing	Aluminum
Cover	PC
Work Environment	Indoor use, applicable for dry environment

Lighting Source	1W SMD LED
LED Quantity	10 LEDs
Operation Voltage	85~264VAC
Power Consumption	10 W
Operation Temperature	-25 °C~40 °C (-13°F ~104°F)

Optical Specifications

Color Range	White
Lumens	760 lm
CRI	>70
Lumen Maintenance	98%@1000hrs
Color Temperature	3000K~7000K

Lumenport Electronics, a CrossMetropolitan Company
11500 Olympic Blvd
Los Angeles, California