

eLumen

Power LED Globe Bulbs



Light has the power to inspire!

Lumenport® eLumen™ L60X XPower LED Globe Bulbs---Up to 80% energy saving without sacrificing comfort and convenience!

Why eLumen™ L60X?

	eLumen™ L60X	Conventional incandescent lamps
Power Consumption	5W	40W
Life Span	50,000 hours	1,000 hours
Heat Generation	Low	High
Radiation	No	UV, FR or mercury
Resistant to shock and vibration	High	Low
Maintenance Fees	No	High
Environmental Pollution	No	High
Energy cost for 50,000 hours (US\$0.25/kWh)	US\$62.5/pcs	US\$500/pcs
Energy saving for 50,000 hours	US\$437.5/pcs	

Up to 80% energy saving!

lumenport™

**Lumenport
Electronics Corp.**

**Light your world
Color your life!**



LUMENPORT Electronics® eLumen™ L60X XPower LED Globe Bulbs are ideal retrofit solutions to replace conventional incandescent lamps and CFL lamps. They are well-suited for use in your home, commercial, retail or hospitality areas.

eLumen™ L60X adopt high-efficient LEDs (60 lm/W), consuming 5 watts and emit the same amount of light intensity of 40 watts incandescent lamps. Furthermore, eLumen™ L60X offer a 50,000 hours life time compared to 1,000 hours from incandescent lamps and 5,000 to 10,000 hours from CFLs.

The customized housing with white oil is anti-glare and produce bright and comfort light effect.

eLumen™ L60X utilize isolating circuit design, which ensures the safety and reliability.

Given its professional designed aluminum alloy housing, eLumen™ L60X achieve good heat dissipation. eLumen™ L60X contain no mercury, totally mercury pollution or poisoning free. eLumen™ L60X can directly fit into standard E27 fitting, making it a perfect retrofit solutions with exceptionally low energy and maintenance costs.

Features & Benefits:

- Ultra energy efficient, replacing up to 40W incandescent lamps;
- Good heat dissipation with professional designed aluminum alloy housing;
- Anti-glare, giving visual comfort;
- Isolating circuit design, safety and reliability;
- Solid-state, fast turn on;
- No mercury, less CO₂ emission, eco-friendly to the environment;
- No UV, infrared output;
- Less heat output, no heat damage;
- Easily installed into standard fitting;
- Longevity of service and minimal maintenance.

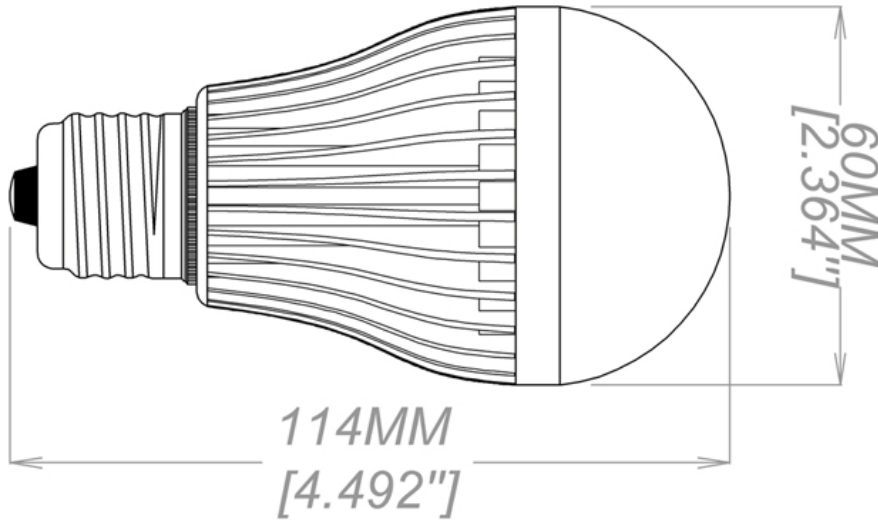
Recommended Applications:

- General and down lighting for homes, offices, restaurants, hotels, malls, casinos, bars etc.

Part Numbers

Part Number	Description	Unit
LBX-2051N-060000-H0	eLumen L60X, 15LEDs, Natural White, E27, 120VAC/240VAC	PCs

Physical Dimensions (Unit: mm)



Technical Specifications

Physical Specifications

Base	E27
Dimension	D60*H114 mm
Housing	Glass
Work Environment	Indoor use, applicable for dry environment

Electrical Specifications

Lighting Source	SMD LED
LED Quantity	15 LEDs
Operation Voltage	100~240VAC
Power Consumption	5W
Operation Temperature	-25 °C~40 °C (-13°F~104°F)

Optical Specifications

Color Range	White
Lumens	300 lm
Efficiency	60 lm/W
CRI	>75
Lumen Maintenance	96%~98% @ 1000hrs
Color Temperature	3000K~8000K